

STAND ROLL ON END

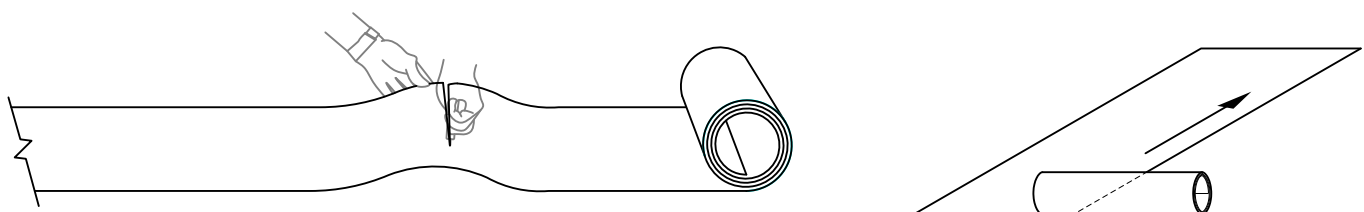
REMOVE SLEEVE

PUT ROLL ON SIDE

UNROLL RAM BOARD LOGO SIDE UP

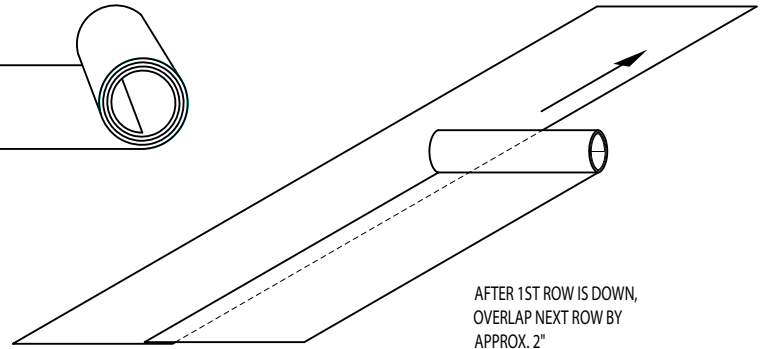
STEP 1

STEP 2



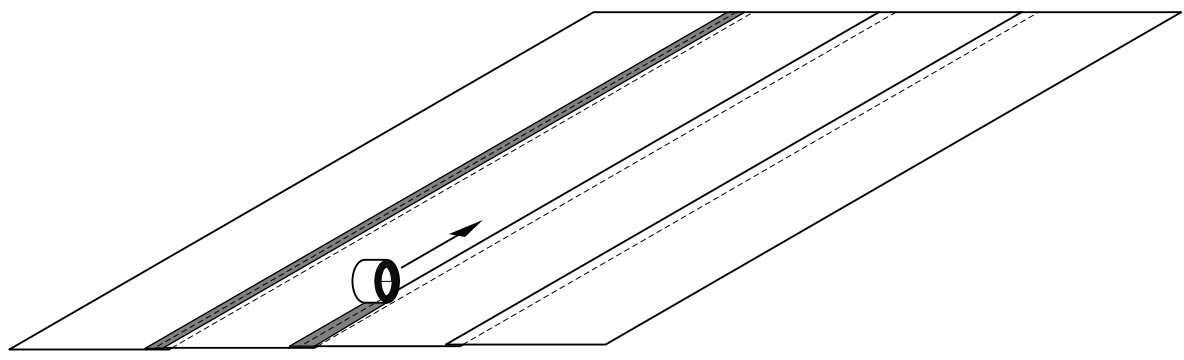
LIFT RAM BOARD UP AWAY FROM FLOOR TO CUT

STEP 3



AFTER 1ST ROW IS DOWN, OVERLAP NEXT ROW BY APPROX. 2"

STEP 4



TAPE SEAMS WITH RAM BOARD SEAM TAPE® OR VAPOR-CURE® TAPE

STEP 5

GREEN UMBRELLA™
Architectural Concrete Systems

PRODUCT

RAM BOARD® INSTRUCTIONS